

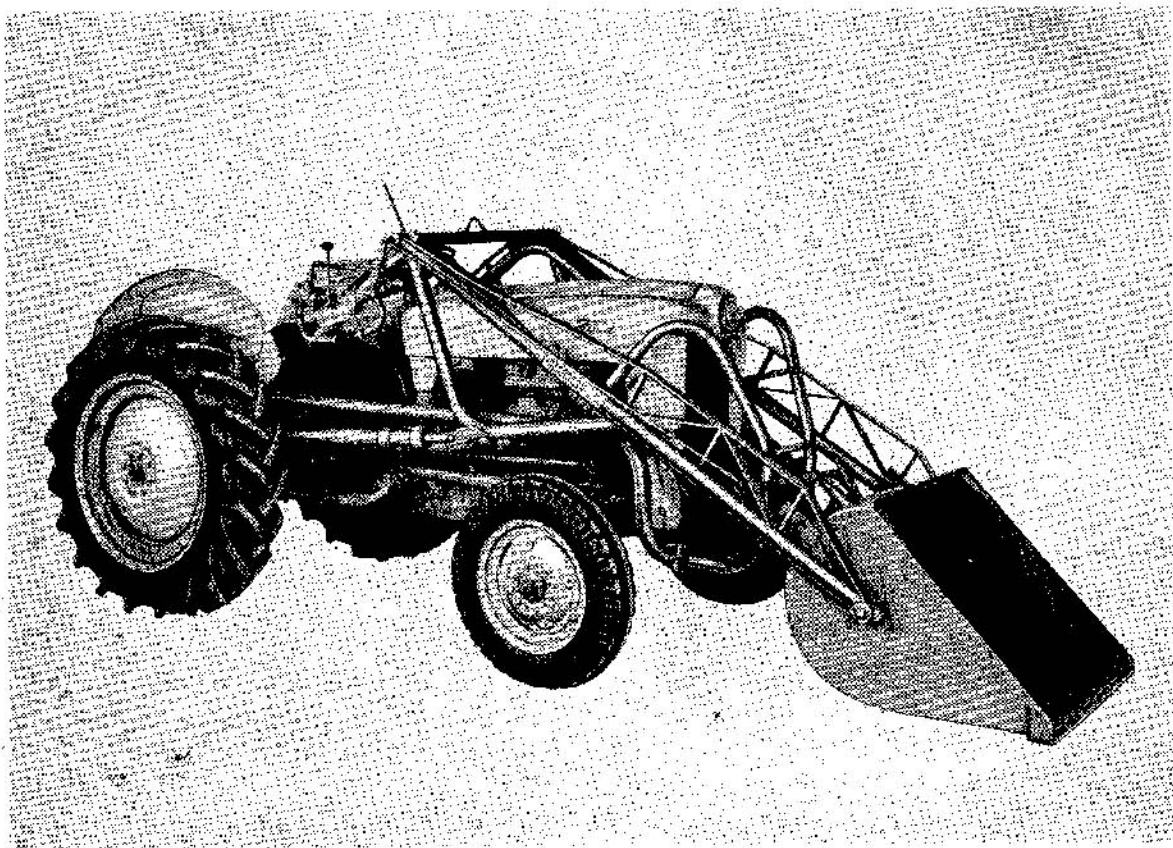


DEARBORN LOADERS



MODELS 19-59 AND 19-60

ASSEMBLY AND OPERATING INSTRUCTIONS



The Dearborn Loaders are designed to meet the requirements and demands for equipment of this type. The versatility of the Dearborn Loaders enables the operator to perform a wide variety of loading operations efficiently and economically. The welded tubular steel construction provides light weight with maximum strength. The Model 19-59 and 19-60 loaders have been especially designed for use on the Model NAA Ford Tractor.

This manual contains two sections: Section One presents information concerning the Dearborn Standard Loader, Model 19-59, and Section Two covers the Dearborn Heavy Duty Loader, Model 19-60. Because there are a number of parts and assembly steps which are common to both models, reference is occasionally made to Section One when installing

the Dearborn Heavy Duty Loader.

The assembly procedure given for each loader is based on mounting the loader on the tractor and assembling it at the same time. The work can easily be done by two men; however, where a suitable chain fall or hoist is available, the loader may be completely assembled on the floor and then with the aid of the hoist, be positioned for mounting on the tractor. In either case, certain work must be done on the tractor itself before the loader is mounted in place.

This manual contains information on the assembly, operation, lubrication and adjustments. Read it carefully, follow the illustrations and keep it available for ready reference.

DEARBORN MOTORS CORPORATION

BIRMINGHAM, MICHIGAN

DEARBORN STANDARD LOADER

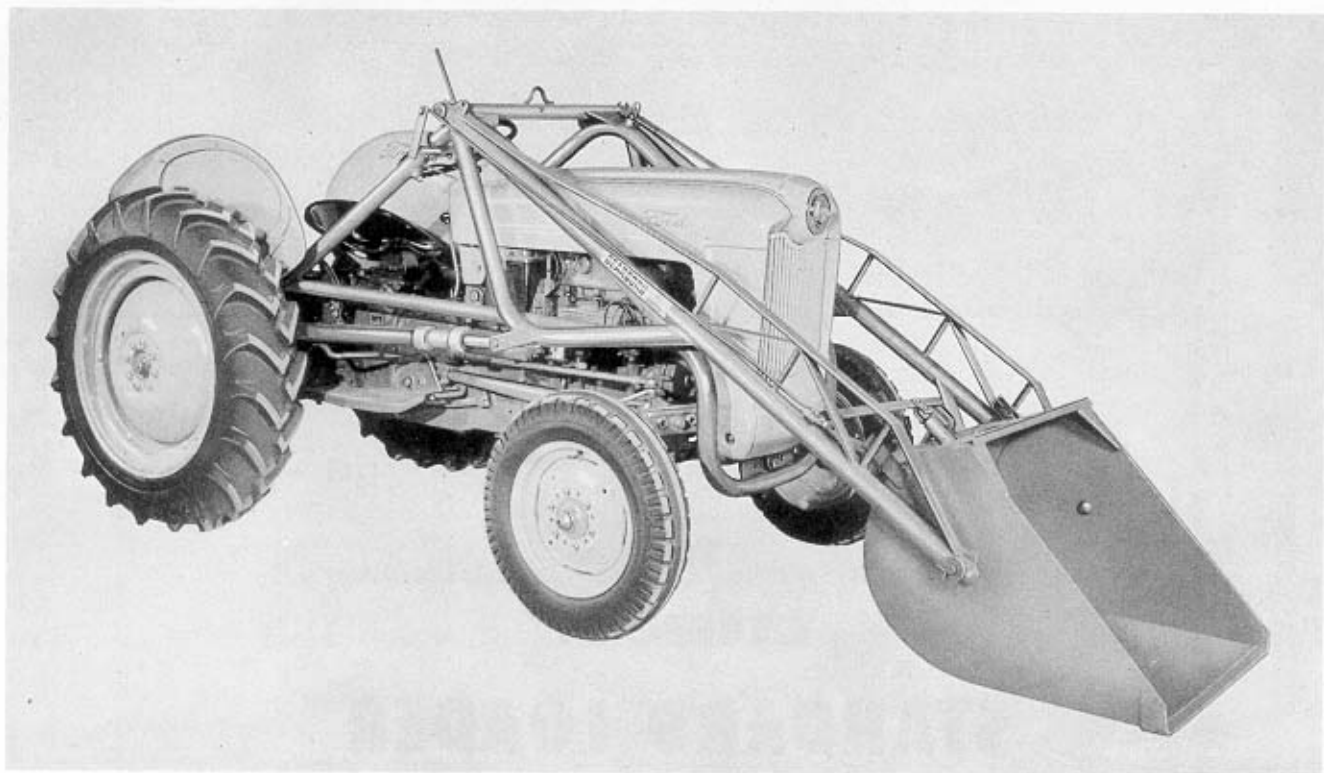


Figure 1
The Dearborn Standard Loader

BUNDLE INFORMATION

The Dearborn Standard Loader, Model 19-59, is shipped in four bundles as shown in Figure 2. The Material Bucket, Model 19-31, and the Manure Fork, Model 19-32, shown in Figure 2, are sold separately by your Ford Tractor and Dearborn Farm Equipment dealer. Check the shipment against the following list and Figure 2, to be sure that all parts are received.

Item	D.M.C. Bundle No.	Description
A.	193603	Main Frame with Trip Assembly Lever attached.
B.	191463	Lift Arm Assembly with Latch Bar assembled and Trip Rod wired on.
C.	194446	Carton of miscellaneous parts.
D.	194074	Hydraulic Cylinder Assemblies.
E.	19-31	Material Bucket.
F.	19-32	Manure Fork.

D.M.C. Bundle No. 194446 in the above list contains the parts listed below. One of each of these parts is shown in Figure 3.

Item No.	Description	Quantity Required
1.	Anchor pin and clip (long)	4
2.	$\frac{5}{16}$ " x $\frac{1}{2}$ " hex head cap screw and lockwasher	6
3.	Bucket anchor pin	2
4.	$\frac{1}{4}$ " x $\frac{1}{2}$ " cotter pin	2
5.	1" flatwasher	2
6.	Hose coupling	3
7.	Selec-Trol Valve	1
8.	Assembly and Operating Manual	1
9.	Rear axle mounting bracket	2
10.	$\frac{5}{8}$ " x $\frac{1}{2}$ " square bolt, lockwasher and nut assembly	4
11.	$\frac{5}{8}$ " x $\frac{1}{2}$ " hex head bolt and lockwasher	1
12.	Suspension plate assembly	1

DEARBORN STANDARD LOADER

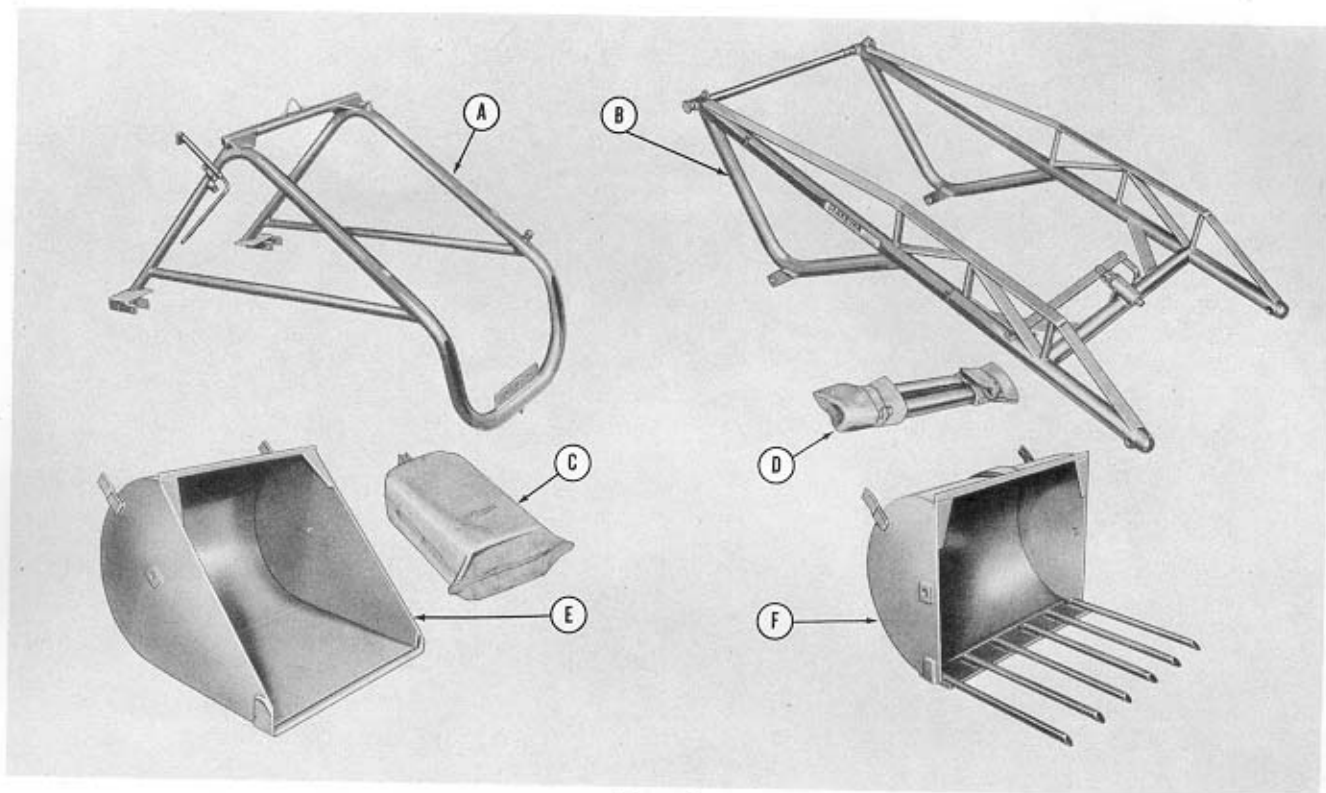


Figure 2
Model 19-59 Standard Loader Bundled for Shipment

Item No.	Description	Quantity Required
13.	3/8" x 16 3/4" hose	3
14.	Anchor pin and clip (short)	2
15.	1/8" zerk fitting	8
16.	3/8" galvanized tee	1
17.	3/8" street ell	1
18.	3/8" pipe—2" long	1
19.	3/8" pipe—12" long	1
20.	Bracket—pipe	1
21.	3/8" pipe—8" long	1
22.	3/4" x 2" pin	1
23.	3/16" x 1 1/4" cotter pin	1
24.	1/2" x 1 1/2" hex head bolt and lockwasher	1
	Miscellaneous cotter pins and flatwashers.	

ASSEMBLY PROCEDURE

NOTE: It is the responsibility of the Ford Tractor and Dearborn Farm Equipment dealer to assemble the loader, mount it on the tractor and to instruct the owner in its operation, care and maintenance. The following instructions are provided in case of need.

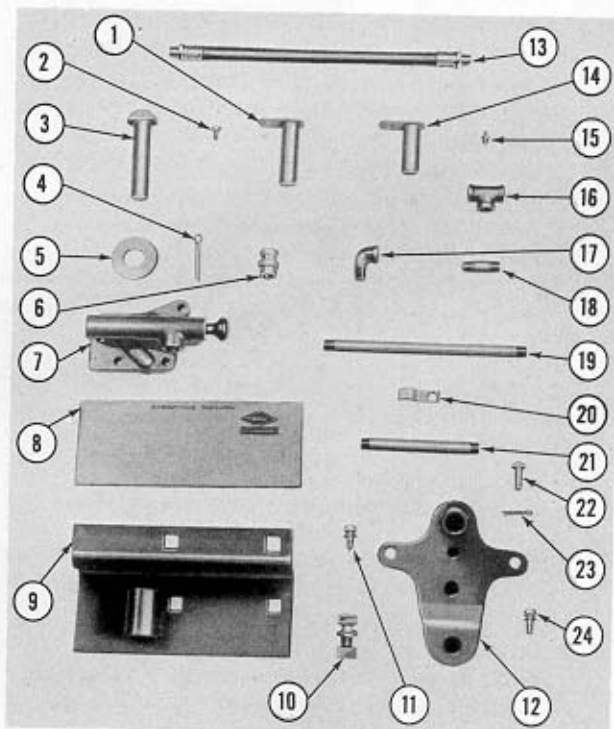


Figure 3
Small Parts Contained in Carton

DEARBORN STANDARD LOADER

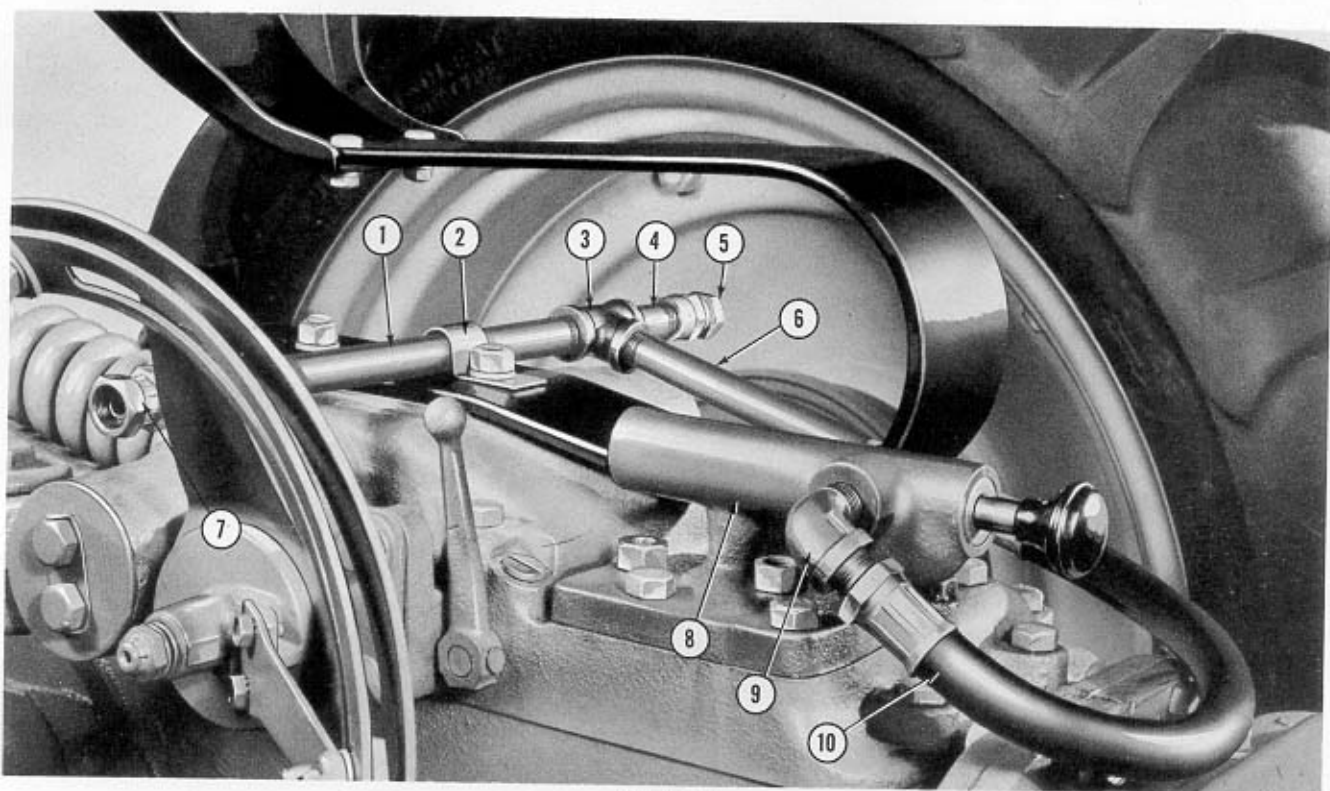


Figure 4
Selec-Trol Valve and Oil Lines Attached

- Open the bundle which contains the small parts and lay out the parts to facilitate assembly.
- Remove the manifold plate from the tractor hydraulic lift cover. Insert the "O" rings in the counterbores of the Selec-Trol Valve (8), Figure 4, and secure the valve to the tractor as shown.
NOTE: On tractors which have cap screws securing the manifold plate, it will be necessary to replace the three inner cap screws with the following studs and nuts: two studs, Part No. 358579-S2, one stud, Part No. 358578-S2, and three nuts, Part No. 33792-S2. The short stud, Part No. 358578-S2, must be placed in the center hole to facilitate installation of the valve. Cap screws are used in the two holes on the outer edge of the valve.
- Coat the threads of the $\frac{3}{8}$ " street ell (9), Figure 4, with plumbers compound. Turn the street ell into the port on the Selec-Trol Valve and attach the hose (10) to the street ell as shown.
- Coat the threads with plumbers compound and assemble the $\frac{3}{8}$ " pipes (1), (4), and (6), Figure 4, the tee (3), and fittings (5) and (7) as shown. Attach the assembly to the tractor with the bracket (2) which is secured to the forward seat stud. Connect the hose (10) to the coupling on the end of the pipe (6).
- Remove the bolt (1), Figure 5, from the front support of the tractor and insert the collar of the suspension plate (2) into the opening of the front support. Replace the bolt with the $\frac{1}{2}$ " x $1\frac{1}{2}$ " bolt and lockwasher (1) and install the $\frac{5}{8}$ " x $1\frac{1}{2}$ " bolt and lockwasher (3), Figure 5, as shown.
NOTE: The tractor grill has been removed for photographic purposes. It is not necessary to remove the grill to install the suspension plate (2), Figure 5.
- Remove the fenders from the tractor and bolt them to the mounting brackets (5), Figure 6, with the four square head bolts, lockwashers, and nuts (4) provided. Attach the bracket and fender assembly to the axle of the tractor with the original fender bolts (6), Figure 6, lockwashers, and nuts.
- Mount the loader main frame on the tractor as follows:
 - Attach the front end of the frame (12), Figure 6, to the suspension plate with the pin (11) and cotter pin provided.
 - Secure the rear end of the loader frame (1), Figure 6, to each mounting bracket (5) with a long anchor pin (7), lockwasher and cap screw (8).

DEARBORN STANDARD LOADER

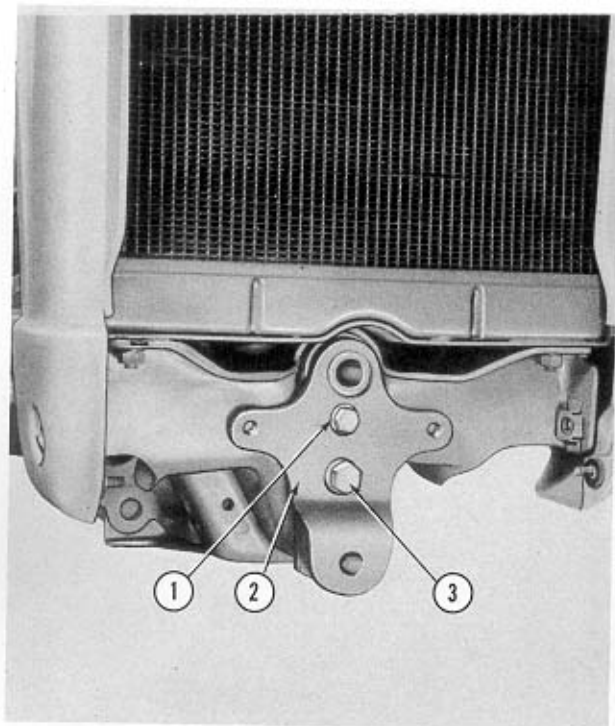


Figure 5
Suspension Plate Installed

8. Install the loader lift arm assembly as follows:
 - a. Remove the lift arm trunnion shaft (3), Figure 7, from the lift arm assembly.
 - b. Position the loader lift arm assembly (10), Figure 7, as shown and place a spacer (2) between the main frame and lift arms. Start the lift arm trunnion shaft (3) through the right lift arm, the spacer (2) and the tubular member (1). Position the spacer (6), Figure 7, as shown and slide the shaft on through the spacer and the left lift arm. Secure with the collar (5) and cotter pin (7).
9. Attach the front of a hydraulic cylinder (11), Figure 7, to each side of the loader lift arm assembly (10) with a short anchor pin (12). Secure the pin with a lockwasher and cap screw. Attach the rear of each cylinder to the loader frame (1), Figure 6, with a long pin (9), lockwasher, and cap screw (10) provided. Be sure that the hole for the hose outlet at the rear of the cylinder is in an upward position.

NOTE: Keep the cap (11), Figure 7, on each cylinder tightened hand tight. Attach a hydraulic hose (2), Figure 6, to each of the hydraulic cylinders. Attach the other end of each hose to each of the fittings (3).

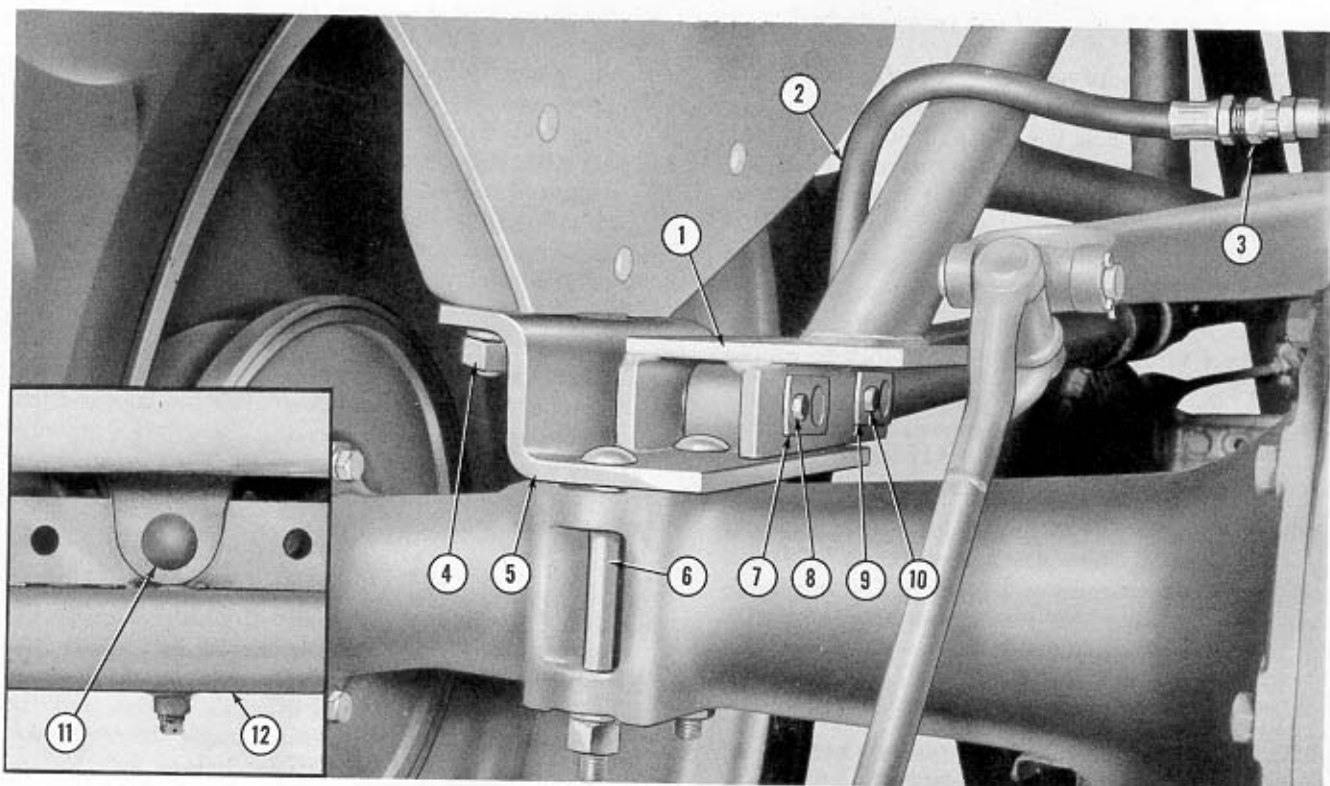


Figure 6
Fender, Frame and Cylinder Attached
www.ntractorclub.com

DEARBORN STANDARD LOADER

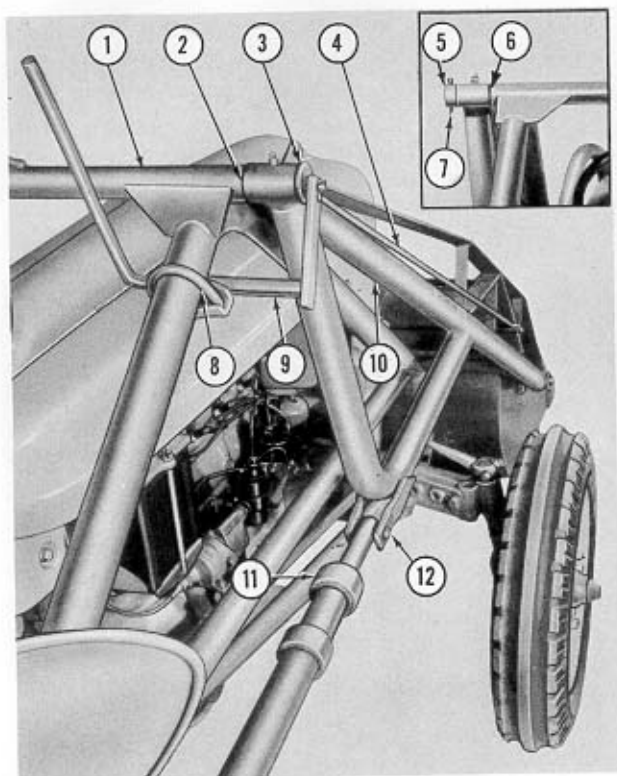


Figure 7

Lift Arms, Cylinder and Trip Lever Attached

10. Loosen the nuts on the U-bolt (8), Figure 7, and position the bucket trip lever assembly (9) so that the U-bolt is about 3" below the welded plate. The hole for attaching the rod (4) should be centered with the shaft (3). Tighten the nuts on the U-bolt securely. Attach the bucket trip rod (4) to the arm of the trip lever (9) and secure with a cotter pin as shown.
11. Attach the forward end of the trip rod (1), Figure 8, to the latch bar (2) with a cotter pin as shown.
12. Attach the bucket (or manure fork) to the lift arms with the pins (3) and (4) and secure with flatwashers and cotter pins as shown in Figure 8.
13. Add two quarts of oil to the tractor hydraulic oil reservoir. (See the Tractor Owner's Manual for the correct oil to be used.) The two additional quarts of oil are necessary to operate the loader hydraulic cylinders.

LUBRICATION

After the loader has been assembled, and before operation, the lubrication fittings should be installed and the loader properly lubricated. There are eight grease gun fittings on the Dearborn Standard Load-

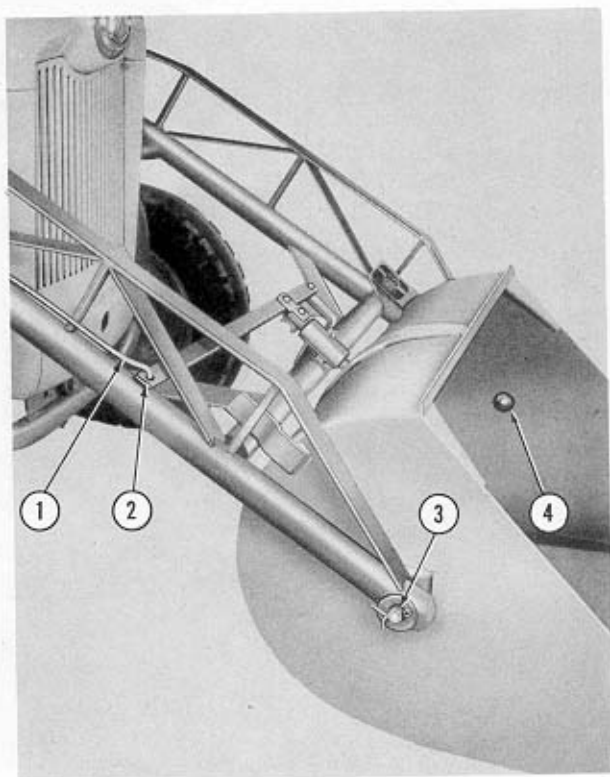


Figure 8

Bucket and Trip Linkage Attached

er, Model 19-59. One is located on the main frame cross member, one on the pivot sleeve of each lift arm (A), Figure 9, one on the bucket latch assembly (B), one on the rear of each hydraulic cylinder (C), and one on the piston shaft of each hydraulic cylinder (D). Lubricate these fittings with a good grade of pressure gun grease after every eight hours of operation.

TRACTOR SPEED

The Dearborn Standard Loader should be operated at moderate tractor speeds to avoid spillage and loss of control. Excessive operating speeds are dangerous and may cause unnecessary strain. The tractor engine speed should be 1200 to 1500 R.P.M. with the tractor operating in second gear.

SELEC-TROL VALVE

The Selec-Trol Valve provided with the loader has been designed for use on the Model NAA Ford Tractor. The use of the valve permits the separate operation of the tractor hydraulic system and the loader hydraulic system, thus leaving the tractor hydraulic system and three point linkage free for use with other implements such as a Danuser All-Purpose Blade, etc.

DEARBORN STANDARD LOADER

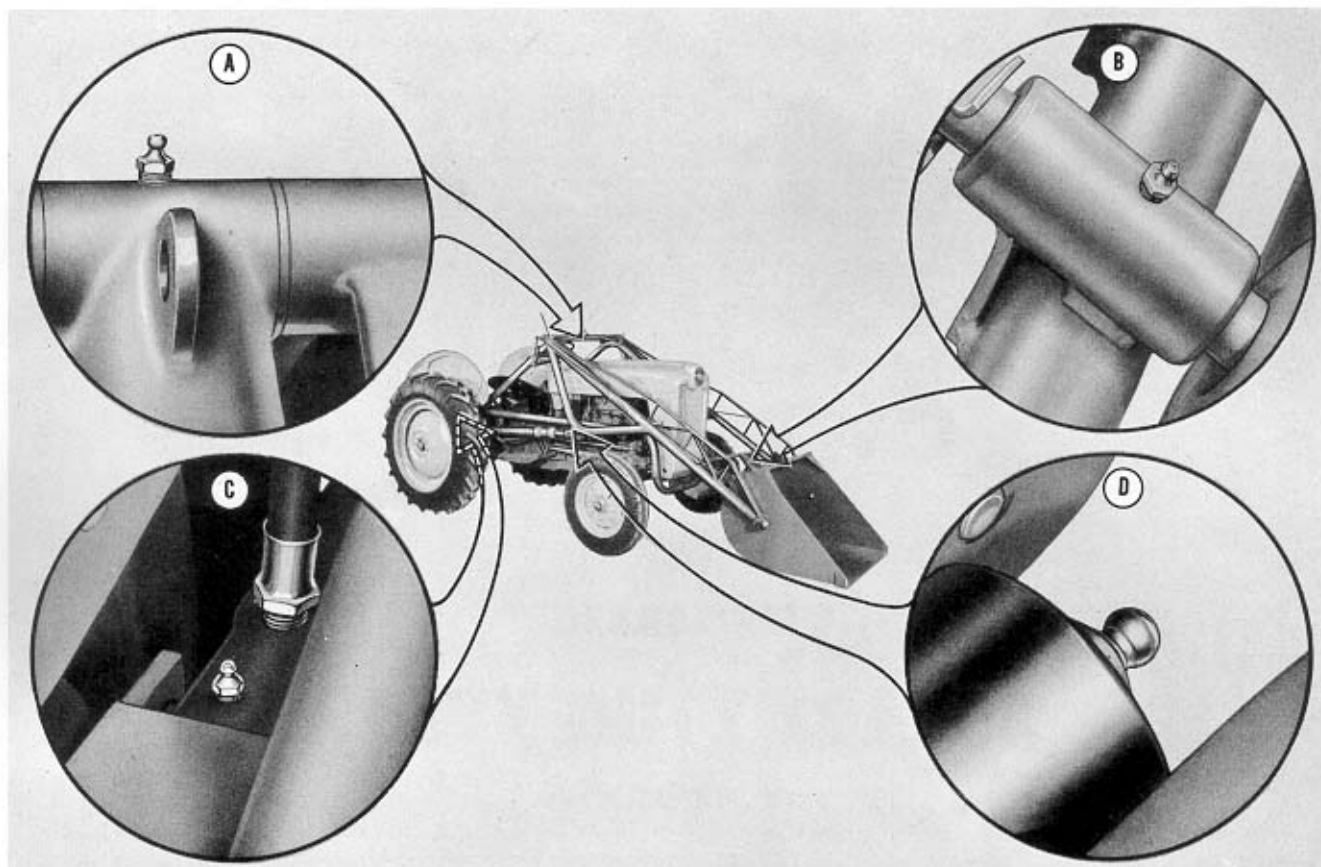


Figure 9
Lubrication Chart

To direct the flow of oil to the loader hydraulic system, pull the Selec-Trol Valve control knob out to the extreme forward position. To direct the flow of oil to the tractor hydraulic system, push the control knob in.

When the loader is removed from the tractor, it is not necessary to remove the Selec-Trol Valve from the hydraulic lift cover. Remove the hydraulic hose and coupling and install a $\frac{3}{8}$ inch pipe plug in the port of the valve housing. The Selec-Trol Valve control knob must be pushed in so that the flow of oil will be directed to the tractor hydraulic system for use with rear attached implements.

HY-TROL

The Hy-Trol knob (Adjustable Flow Control Valve) located at the front of the tractor hydraulic pump is used to control the flow of oil in the tractor hydraulic system. When using the Dearborn Standard Loader on the Model NAA Ford Tractor, it is recommended that the knob be turned to the extreme "IN" position (5 gallons per minute) to obtain maximum operating and lifting speed.

LOADER OPERATION

The bucket is raised or lowered by means of the Ford Tractor Hydraulic Touch Control Lever. To trip the bucket, pull back on the trip lever handle. (See Figure 7.) When the bucket is lowered to loading position, the bucket latch pin will automatically reset itself. Drive straight into the pile when loading a bucket. Do not overtax the loader by trying to fill the bucket on a turn. When loading from a pile of material, keep the surrounding area clean to secure better traction and more efficient operation.

Load the bucket with repeated, short, forward thrusts and raise the lift arms a little each time for maximum fill. Do not try to drive the bucket "home" on each initial approach as this results in less efficiency and unnecessary strain on the loader, the tractor, and the operator.

TRANSPORTING

When transporting the loader with the bucket (or manure fork) loaded or empty, the lift arms should be raised to a height where the bucket (or fork) is just below the level of the tractor hood. Maximum stability and visibility are obtained when the lift arms are in this position.